



CSN® Finned radiator type oven, type 600/

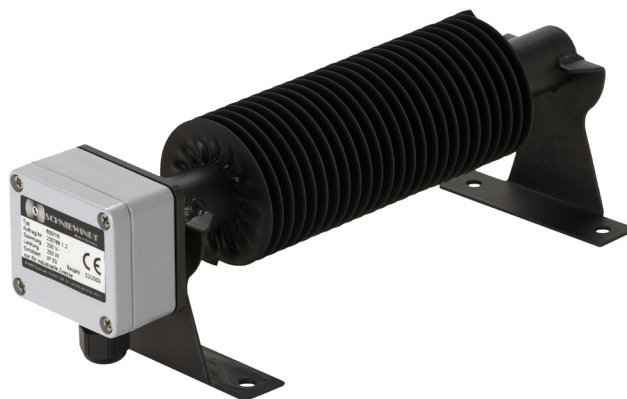
The robust oven for industrial operating conditions in the low heating capacity range conditions is almost indestructible, even under the most difficult operating conditions.

Typical applications in the area room-heating:

- Crane cabins
- Work booths
- Workshops
- Escalators

Technical data:

- protection mode IP 54
- without thermostat or switch
- voltage: 230 V ~
- for vertical and horizontal installation
- for fixed connection



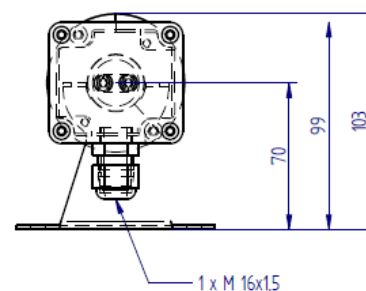
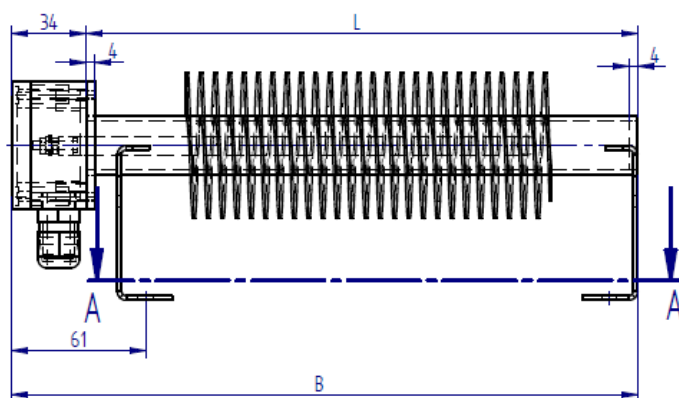
available in

- black varnished
- stainless steel material AISI 304

Advice for installation:

According to EN 60335-1, finned radiator type ovens may be operated exclusively in industrially used room (increased surface temperature) or they must be installed at a high difficult to reach.

type	power Watt	voltage Volt	total length B	axle mea- surement A	finned tube length L	approx. weight kg
600/1	250	230 ~	284	210	250	1,5
600/2	500	230 ~	534	460	500	2,5
600/4	1000	230 ~	1034	960	1000	4,5



Other versions and suitable thermostats on demand!